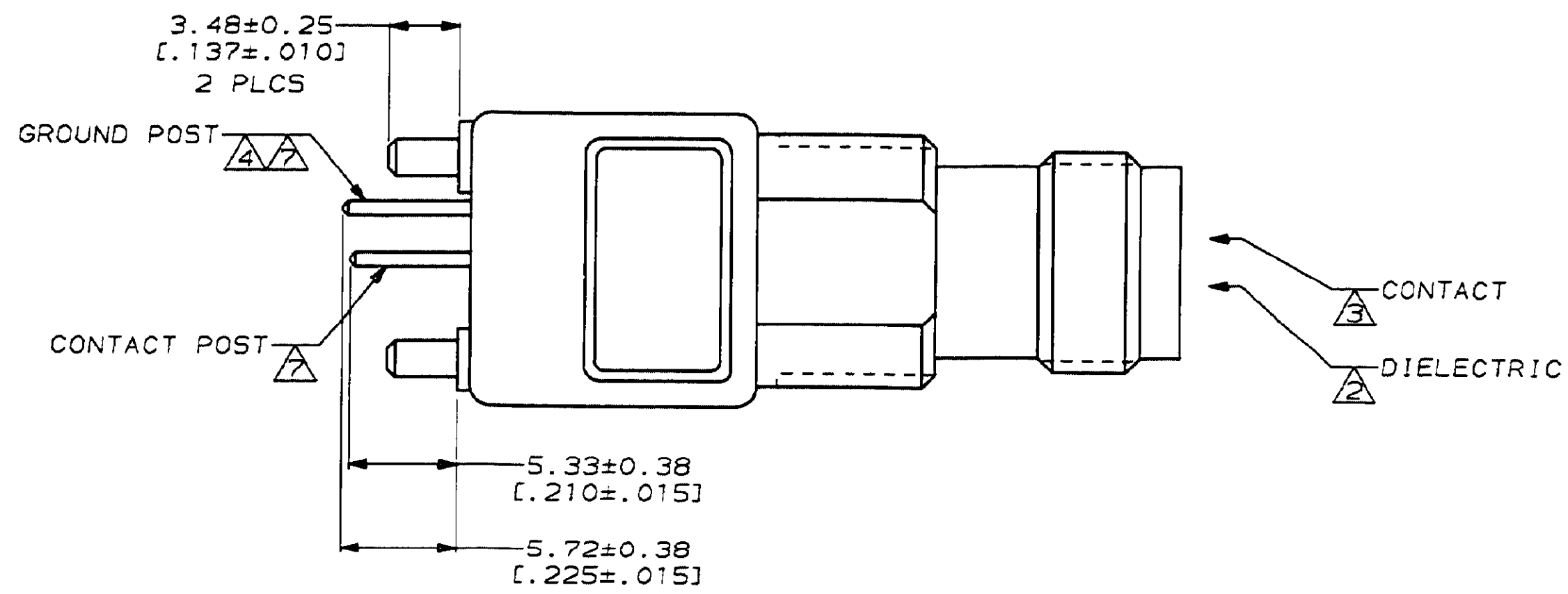
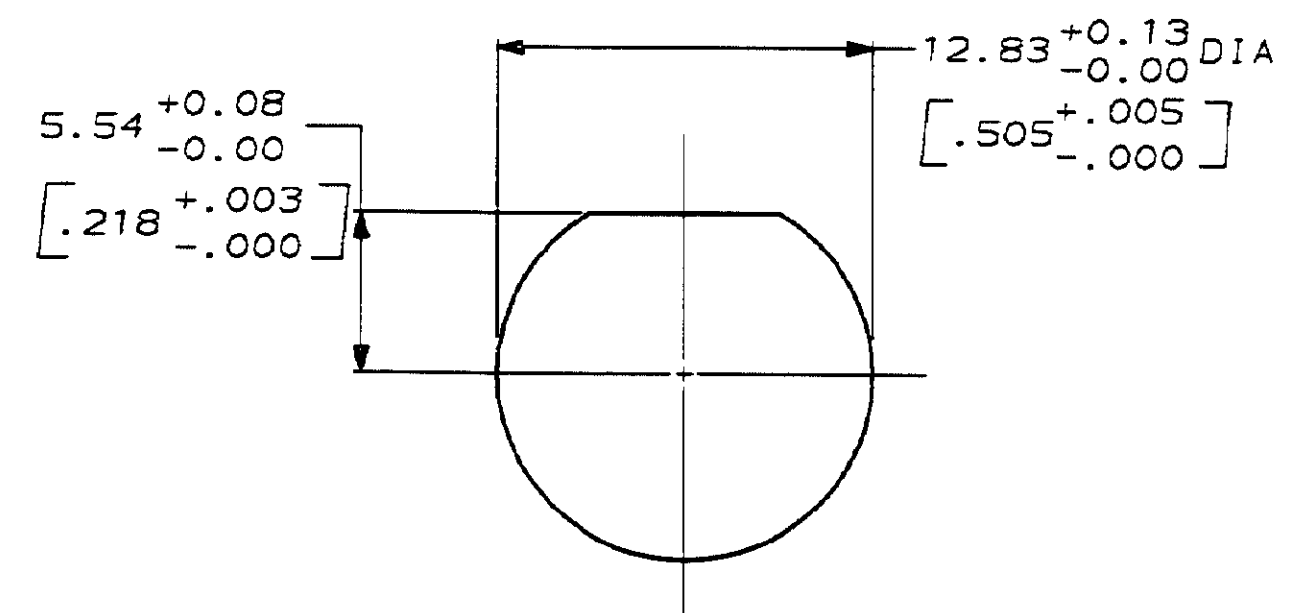
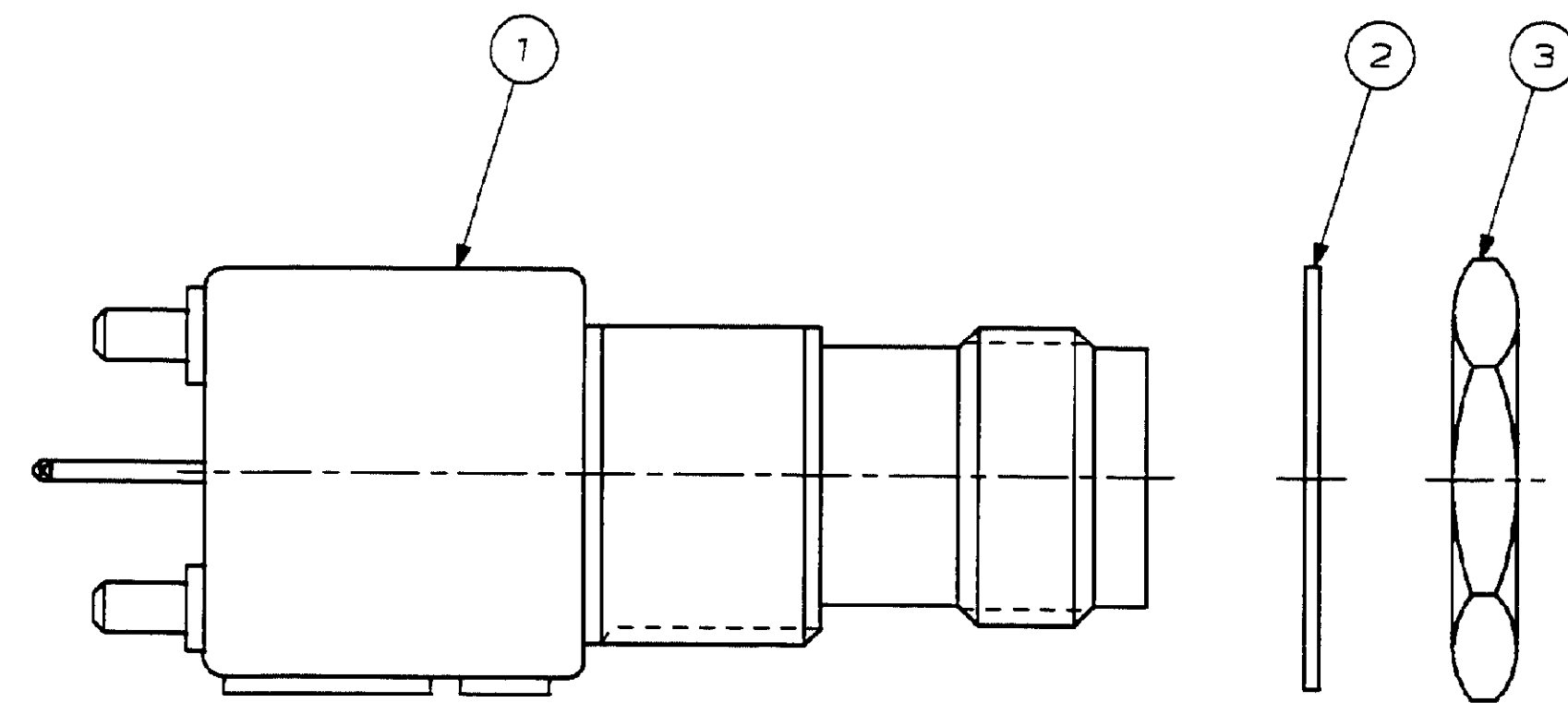
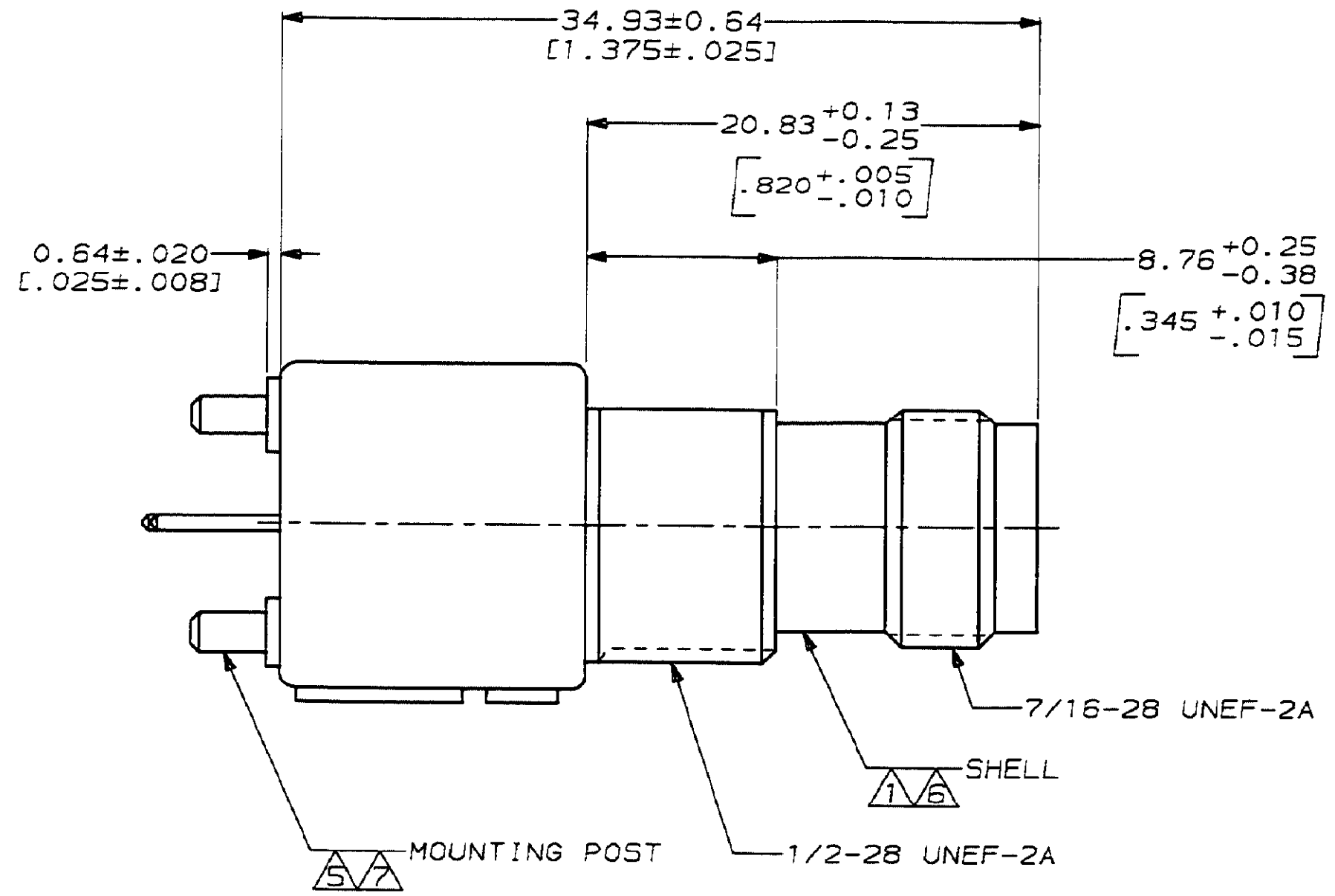
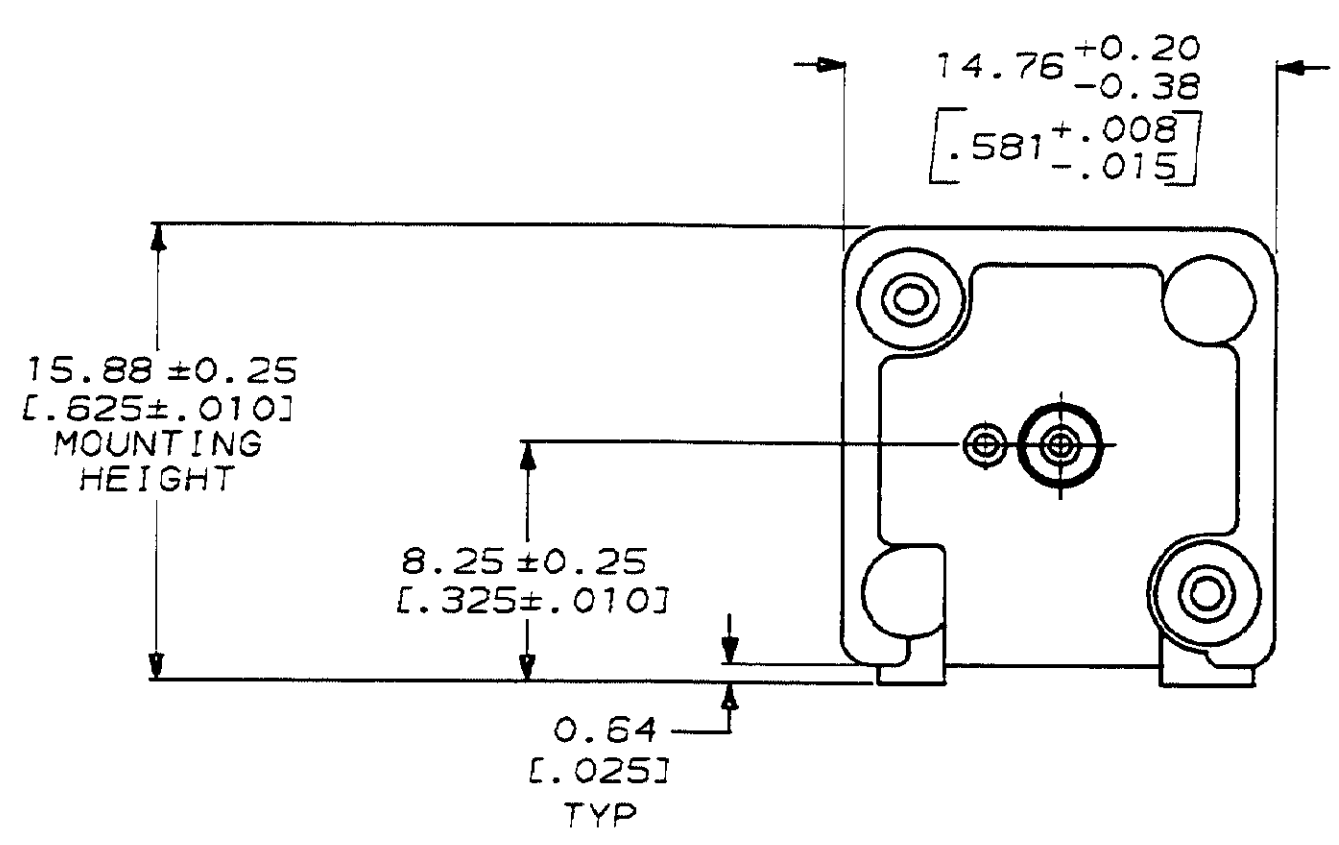


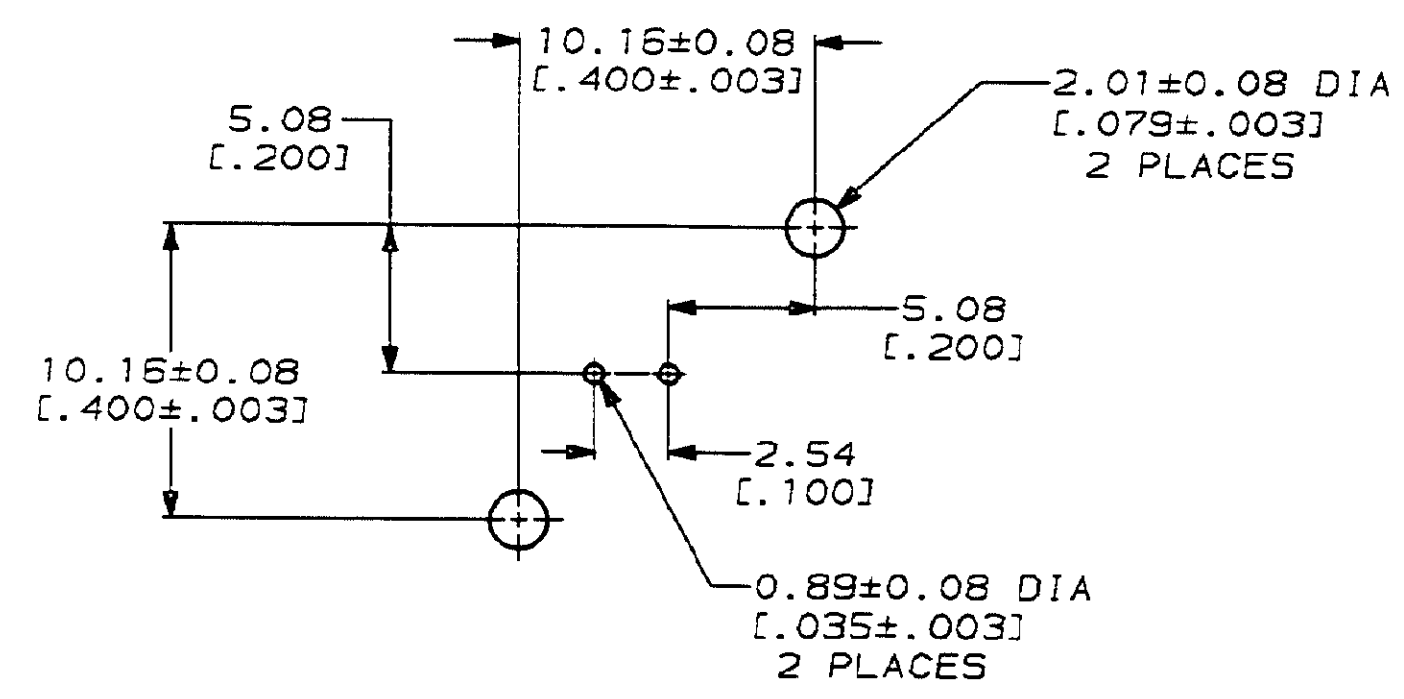
LOC	QTY	P	F	ZONE	LTR	REVISIONS	DATE	APPD
AJ	15							
				C		REDWN & REV PER 0130-0098-93	2-23-93	JL
				D		SUPSD -2 PER 0130-0344-93	7-21-93	JL



- ① ZINC PER QQ-Z-363.
- ② POLYMETHYLPENTENE, GENERAL PURPOSE.
- ③ PHOSPHOR BRONZE PER QQ-B-750.
- ④ BRASS PER ASTM-B-453.
- ⑤ BRASS PER ASTM-B-16.
- ⑥ NICKEL PLATE PER QQ-N-290,
3.81 μm [.000150] MINIMUM THICK.
- ⑦ TIN-LEAD PLATE PER MIL-P-8172B,
3.81 μm [.000150] MINIMUM THICK.
- ⑧ GOLD PLATE PER MIL-G-45204,
0.76 μm [.000030] MINIMUM THICK.
- ⑨ SILVER PLATE PER QQ-S-365,
0.76 μm [.000030] MINIMUM THICK.
- 10. SEE INSTRUCTION SHEET 2769.



RECOMMENDED PANEL CUTOUT



PCB CONFIGURATION

	1-329632-2	1-329631-2	227835-1	B	227835-4
SUPERSEDED BY 227835-1	-	-	-	A	227835-3
SUPERSEDED BY 227835-1	-	-	-	A	227835-2
	-	-	-	A	227835-1
CONTACT FINISH	③ LOCKWASHER QTY=1	② JAM NUT QTY=1	① JACK ASSY QTY=1	VIEW	PART NUMBER

DO NOT SCALE PRINT. UNLESS SPECIFIED DIMENSIONS IN mm [INCHES] TOLERANCES ON: 2 PLC DEC ± 0.05 [.002] 3 PLC DEC ± - ANGLES ± -		DR 2-23-93 J. LIPPERT CHK 2-26-93 A. GABANY APPD 2-26-93 A. GABANY APPD 2-26-93 J. LIPPERT PRODUCT SPEC		AMP AMP Incorporated Harrisburg, PA 17105-3608	
SEE NOTES 1 THRU 5	SEE NOTES 6 THRU 9	NAME JACK, VERTICAL, PCB, 50 OHM, SERIES TNC		SIZE D 00779	DRAWING NO 227835
APPLICATION SPEC		SCALE 4:1	SHEET 1 OF 1		